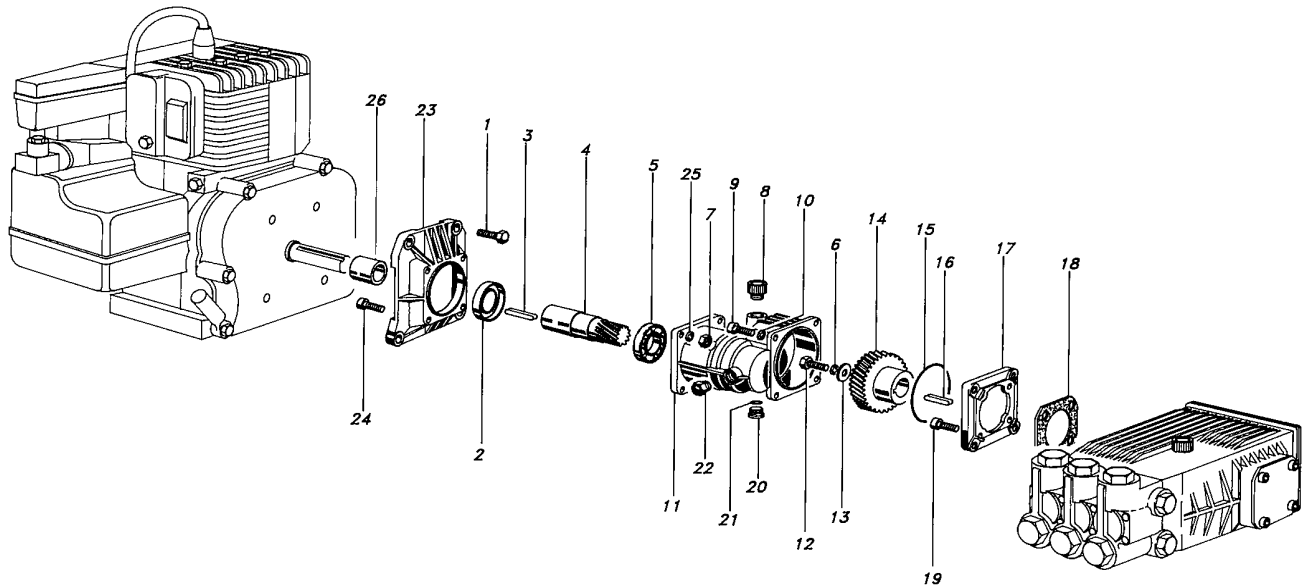


**RTI 126 SAE 1" TW-WM**


POS.	CODICE PART NO. RÉF.	DENOMINAZIONE - DESCRIPTION - DESCRIPTION	Q.TY	POS.	CODICE PART NO. RÉF.	DENOMINAZIONE - DESCRIPTION - DESCRIPTION	Q.TY
1	863098002	BOLT 3/8X1	4				
2	802151502	OIL SEAL	1				
3	806475002	TAB 6,36X6,36X40	1				
4	311321422	PINION GEAR	1				
5	812740502	BALL BEARING	1				
6	845393002	WASHER	1				
7	814575002	NUT	4				
8	853511002	OIL FILLING PLUG	1				
9	863265002	BOLT M10X25	4				
10	843760002	WASHER DIA.10,5X16X1	4				
11	311291092	CASE	1				
12	862097102	BOLT M6X16	1				
13/1	843620002	WASHER (FOR PUMPS WITH SHAFT 24X30)	1				
13/2	311663482	WASHER (ONLY FOR PUMPS WITH SHAFT 24X40)	1				
14	311288422	GEAR	1				
15	803080902	O-RING	1				
16	806522002	TAB 8X7X25	1				
17	311286072	FLANGE	1				
18	311276722	GASKET	1				
19	862131002	BOLT TCEI M6X18	4				
20	852632002	PLUG	1				
21	803187002	O-RING	1				
22	853505002	OIL SIGHT GLASS	1				
23	311320072	FLANGE FOR GAS ENGINE	1				
24	862730002	SCREW M8X30	4				
25	843685002	WASHER DIA.10	4				
26	311337762	SPACER (ONLY FOR ENGINES WITH SHAFT = 74 MM)	1				